



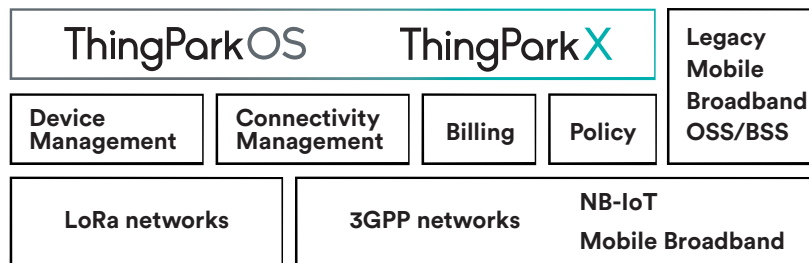
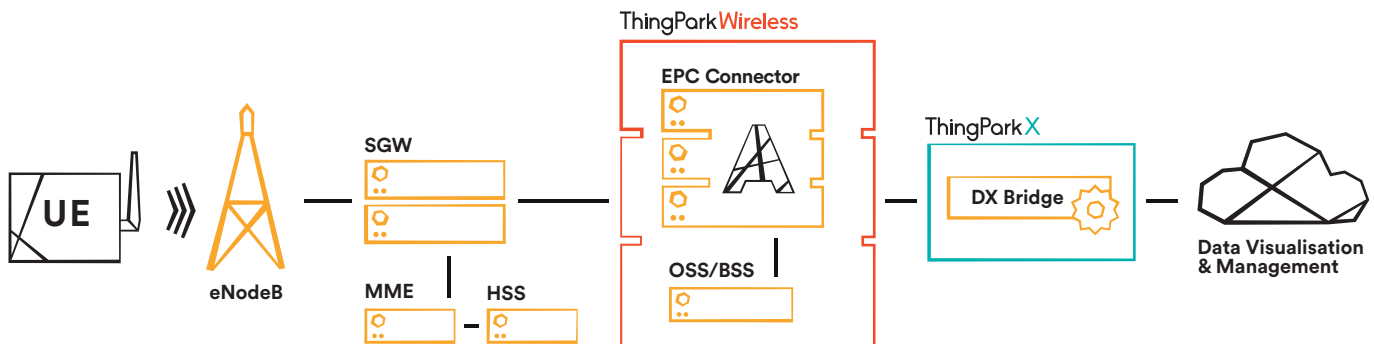
Integrated 3GPP support

Helping MNOs transition smoothly by building insertion points within evolving 3GPP EPC architecture to NB-IoT

Mobile network operators currently face challenges in integrating IoT devices on massively large scale:

- Device ARPU decreasing dramatically
- High number of transactions cause increased IT cost
- OSS and BSS dominate cost structure
- MME/HSS licence fees are prohibitive for low cost LTE devices
- Expensive EPC upgrades killing early MTC revenue

Activity's ThingPark EPC connector supplies unique & integrated LPWA allowing operators to monetize existing R8-R11 networks with evolution towards future R13 NB-IoT deployments.



Service Activation & Business Support	Offer Management	Order Management	Billing & Payment
Service Orchestration Role Management	IoT Bundle Creation Subscriber Management	Supplier Management Vendor Management	Invoicing Online Payment

Key benefits

Unified device management

- Single layer device provisioning for LoRa and 3GPP IoT devices
- Automated SIM provisioning

Integrated OSS/BSS

- Unified connectivity management layer related services
- Unified LPWA billing, traffic shaping & Policy management

Data exposure

- A consistent data delivery interface, including meta-data